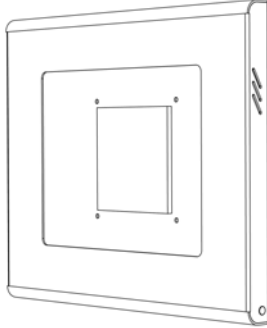
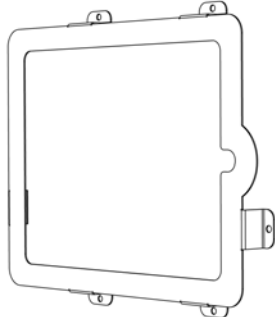

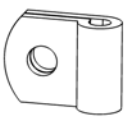
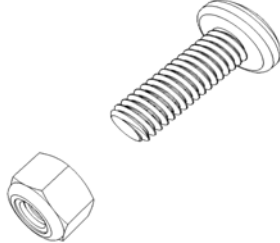
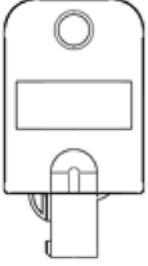
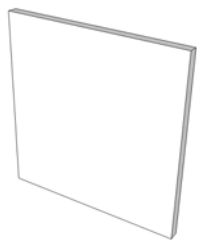
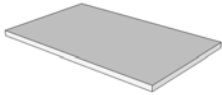
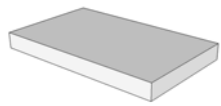


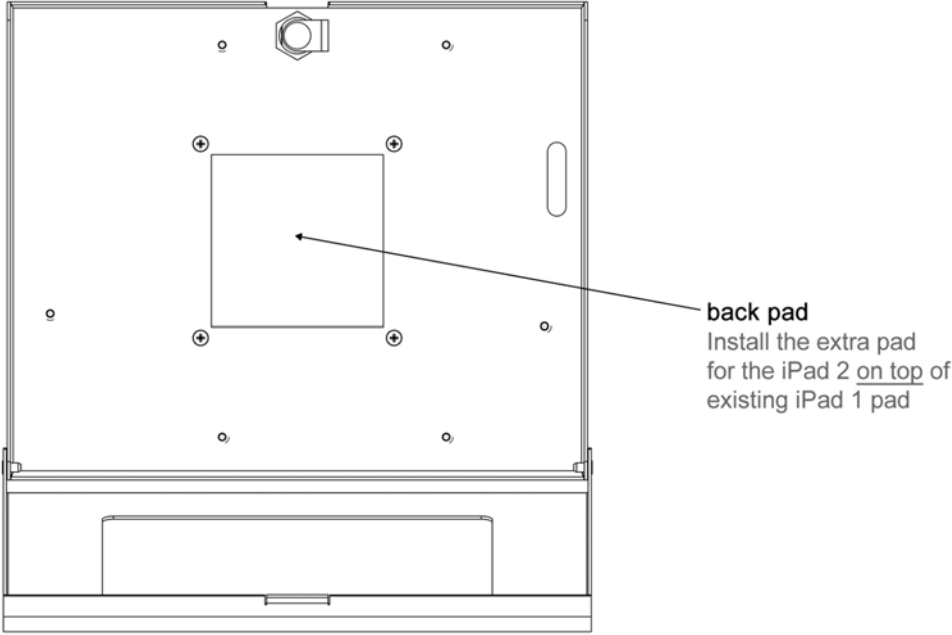
SafeCase™ Installation Instructions

Parts List

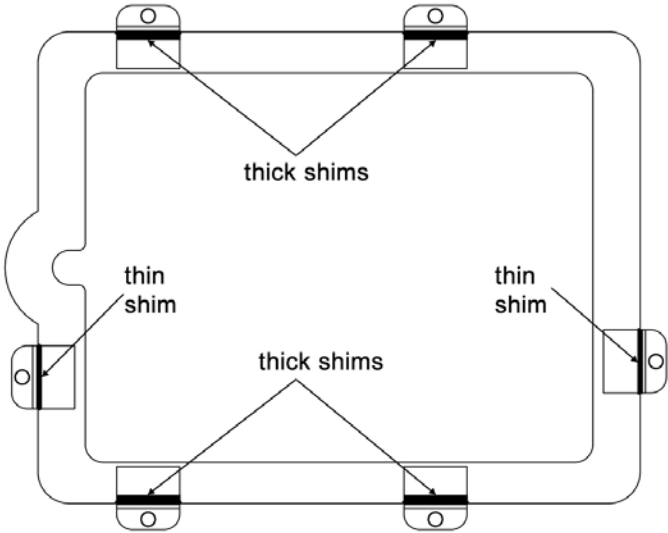
 <p>enclosure (1)</p>	 <p>security strap (1)</p>	 <p>hex nut (6)</p>
 <p>strain relief (1)</p>	 <p>VESA mount screw and lock nut (4)</p>	 <p>key (2)</p>
 <p>iPad 2: back pad (1)</p>	 <p>iPad 2: thin shim (2)</p>	 <p>iPad 2: thick shim (4)</p>

SafeCase Assembly

Step 1. Your SafeCase comes ready to fit an iPad 1, but If you are using an iPad 2 you must install the **back pad**, **thick shims**, and **thin shims** for proper fit:

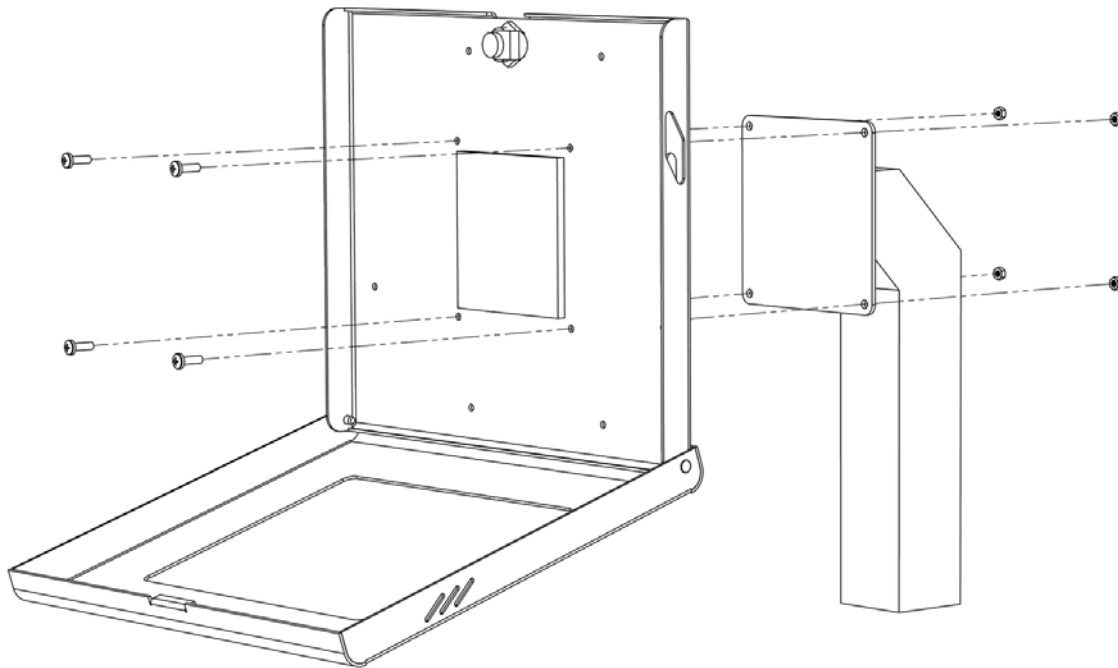


Install the iPad 2 **shims** on top of the iPad1 shims that come pre-installed on the **security strap**:



Step 2. Assemble your VESA 100 compatible¹ mount (purchased with SafeCase, or purchased separately).

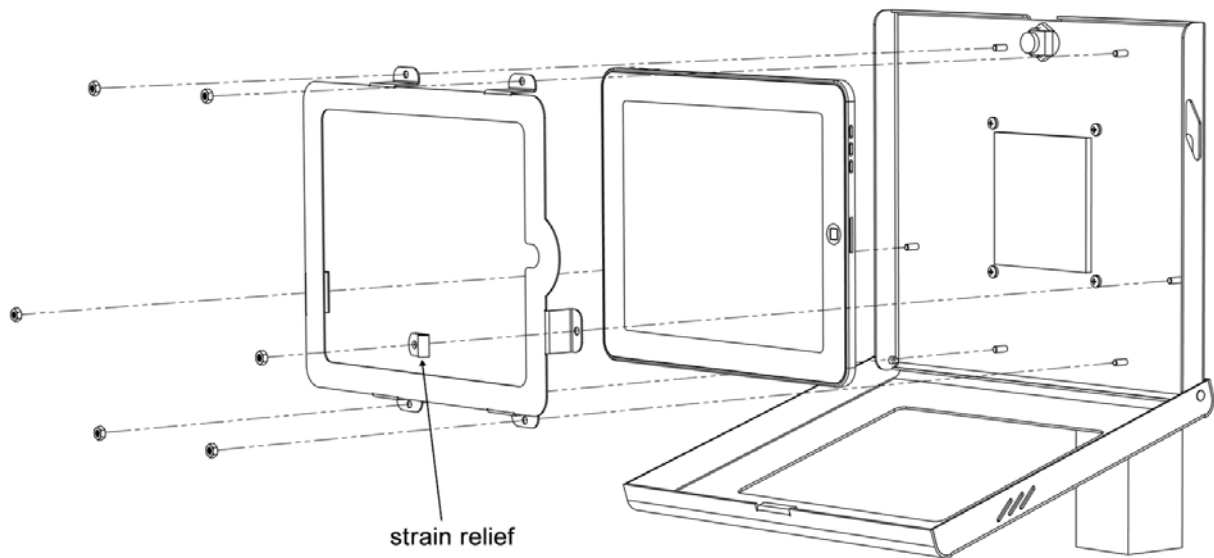
Step 3. Attach the SafeCase **enclosure** to your mount using the VESA mounting holes and fully tighten all screws and nuts. It is important to do this before installing an iPad, because after an iPad is installed, the VESA screws are no longer accessible:



Your VESA mount may come with its own set of screws and nuts. We provide an extra set that is equipped with Nylon insert **lock nuts**. These will not loosen over time and they also deter theft.

¹ VESA is the industry standards body that dictates the size and shape of mounting holes used on LCD monitors. Most LCD monitors and monitor mounts conform to this standard and include four mounting holes that are spaced 75mm or 100mm apart (“VESA 75” or “VESA 100”)

Step 4. Remove the iPad **security strap** from the **enclosure** and place it on top of your iPad. (We recommend attaching your iPad power cord now, because once the iPad is fully installed into the **enclosure**, it can be difficult to install or remove the power cord). Then place the iPad with **security strap** into the **enclosure**, aligning the holes with the threaded studs on the **enclosure**. Apply some force to fit the **security strap** onto the threaded studs. The tight fit is necessary for aligning the iPad and holding it securely in place. Tighten the **hex nuts** onto the **security strap** using a 7mm hex wrench or socket wrench.



Note the location of the **strain relief**. After the iPad and **safety strap** are seated, you will want to run the iPad's power cord through the **strain relief** in order to prevent damage to the iPad power connector, in the event that someone accidentally pulls on the power cord.

Step 5. Configure your iPad for operation, then close the **enclosure** and lock it using the provided **key**.